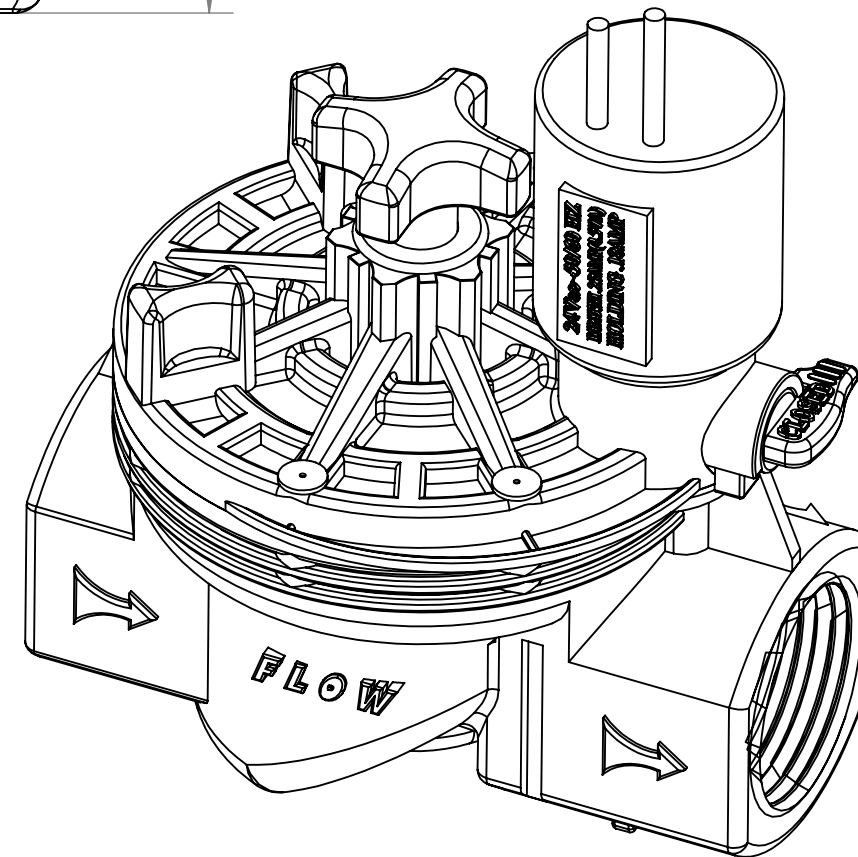
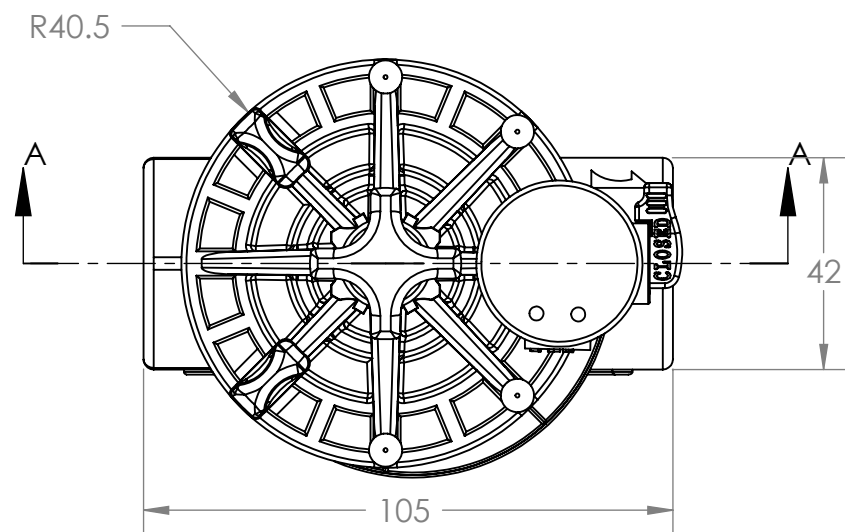


1. Body
2. Oring Bonnet
3. Diaphragm disk
4. Diaphragm
5. Bonnet
6. manual control
7. oring manual control
8. Cam lifter
9. Flow control
10. Flow control cclip
11. oring flow control
12. Flow control handle
13. solenoid Assembly



UNLESS OTHERWISE SPECIFIED: DIMENSIONS ARE IN MILLIMETERS SURFACE FINISH: TOLERANCES: LINEAR: ANGULAR:			FINISH:		DEBUR AND BREAK SHARP EDGES		DO NOT SCALE DRAWING		REVISION		
DRAWN			NAME		SIGNATURE		DATE		TITLE:  <h1>Body N</h1>		
CHK'D			MATERIAL:			DWG NO.			A3		
APPV'D			WEIGHT:			SCALE:1:5			SHEET 1 OF 1		
MFG											
Q.A											