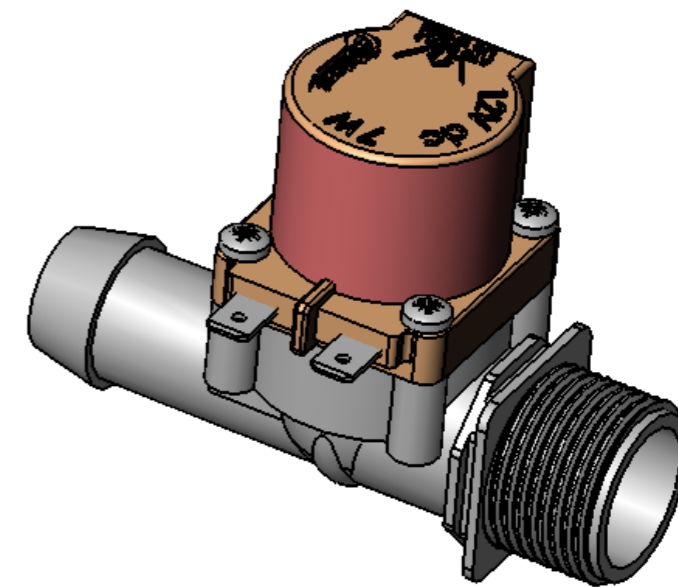


SECTION B-B



|   |  |         |                             |                      |          |
|---|--|---------|-----------------------------|----------------------|----------|
| Tolerances except where otherwise stated<br>xx. ±0.5<br>xx.x ±0.1<br>xx.xx ±0.05<br>Angular Tolerance ±1° |  | FINISH: | DEBUR AND BREAK SHARP EDGES | DO NOT SCALE DRAWING | REVISION |
| DRAWN   |  |         | TITLE: Nymet Pty Ltd        |                      |          |
| CHK'D   |  |         | BODY B                      |                      |          |
| APPV'D  |  |         | DWG NO.                     |                      |          |
| MFG   |  |         | SCALE:1:1                   |                      |          |
| Q.A   |  |         | SHEET 1 OF 1                |                      |          |
| MATERIAL:   |  |         | A3                          |                      |          |