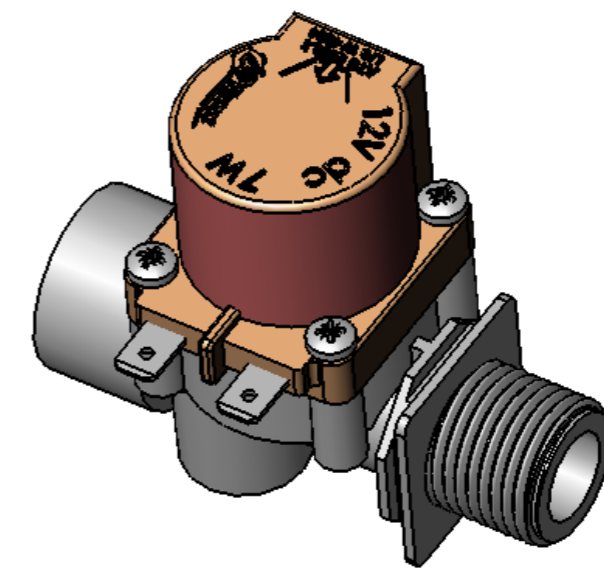
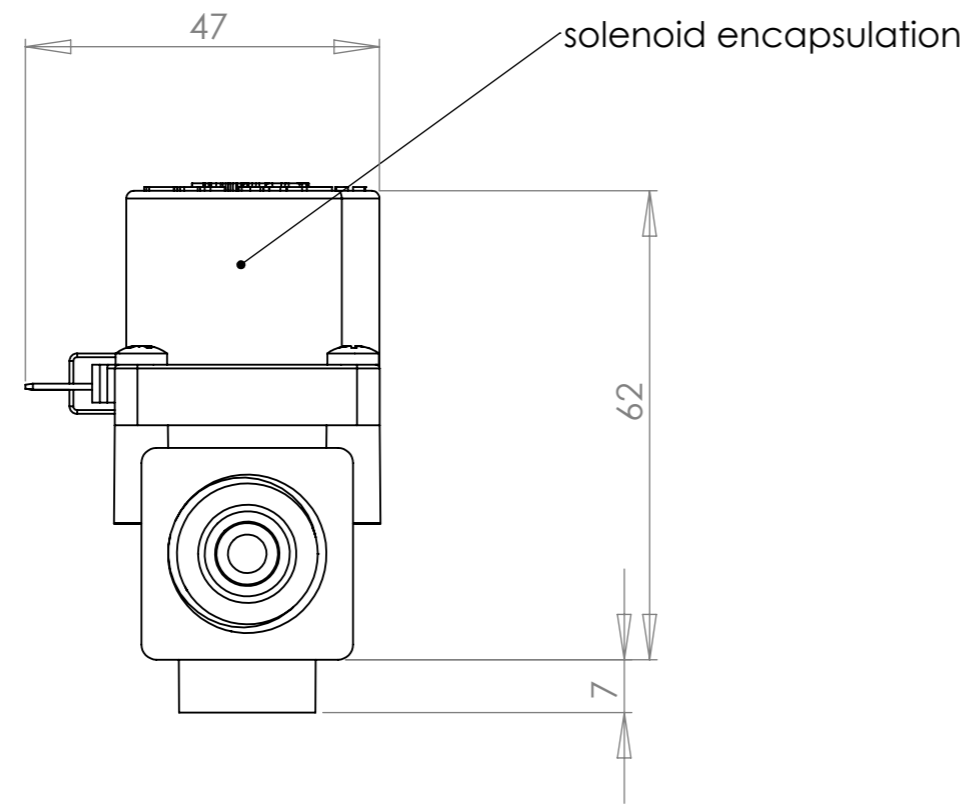
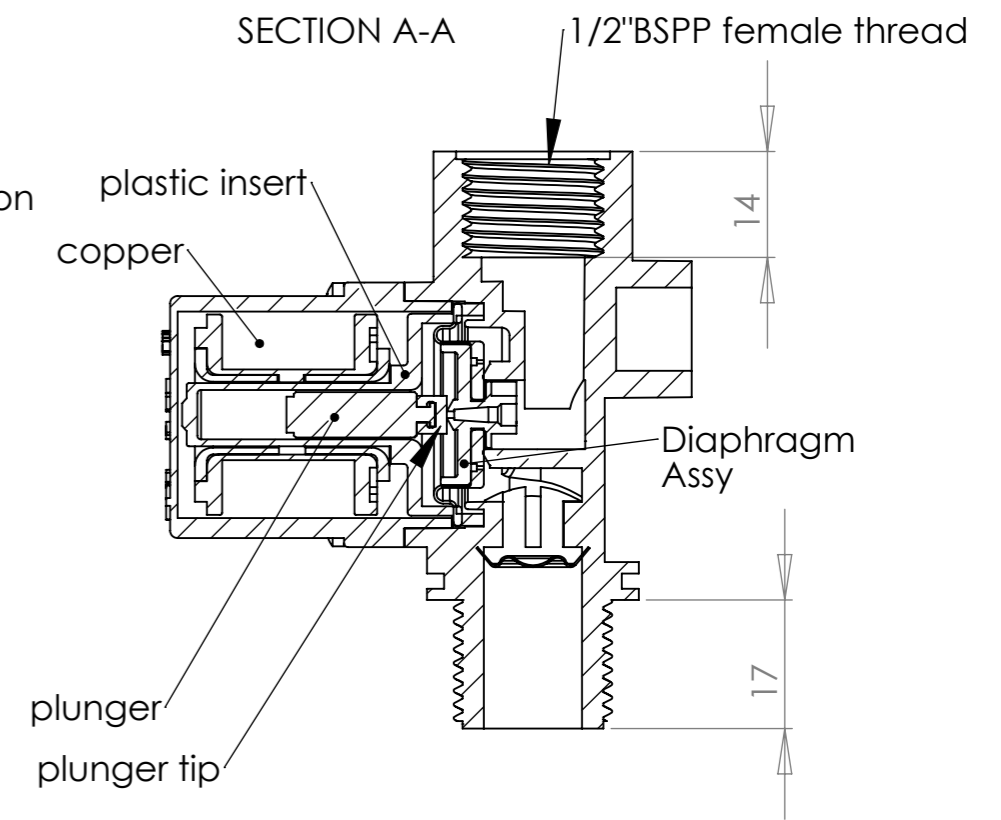
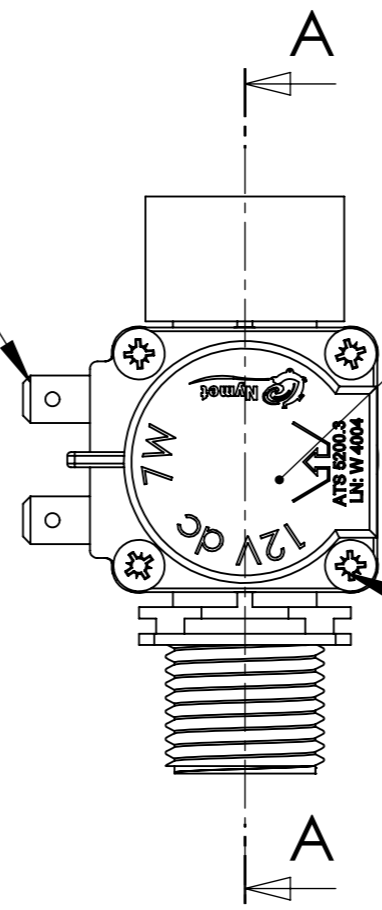


6.3mm straight electrical terminals optional leaded or din terminals also available

Nymet body H



Tolerances except where otherwise stated xx. ±0.5 xx.x ±0.1 xx.xx ±0.05 Angular Tolerance ±1°		FINISH:	DEBUR AND BREAK SHARP EDGES	DO NOT SCALE DRAWING	REVISION
DRAWN			TITLE:		
CHK'D			Nymet Pty Ltd		
APPV'D					
MFG			BODY H		
Q.A					
MATERIAL:			DWG NO.	A3	
SCALE:1:1			SHEET 1 OF 1		