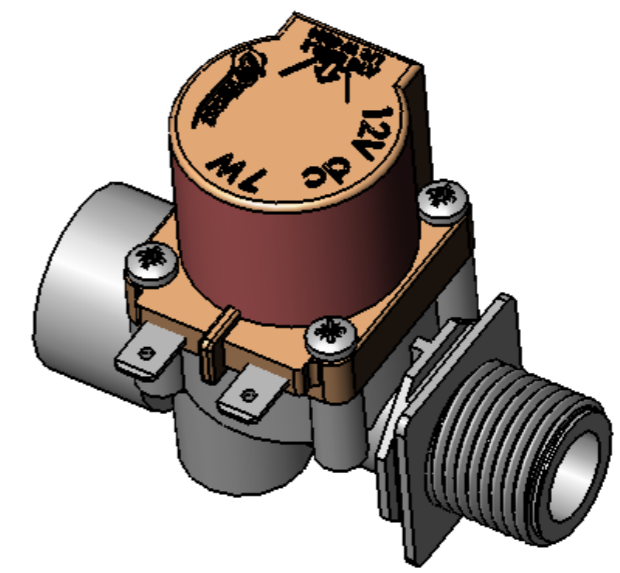
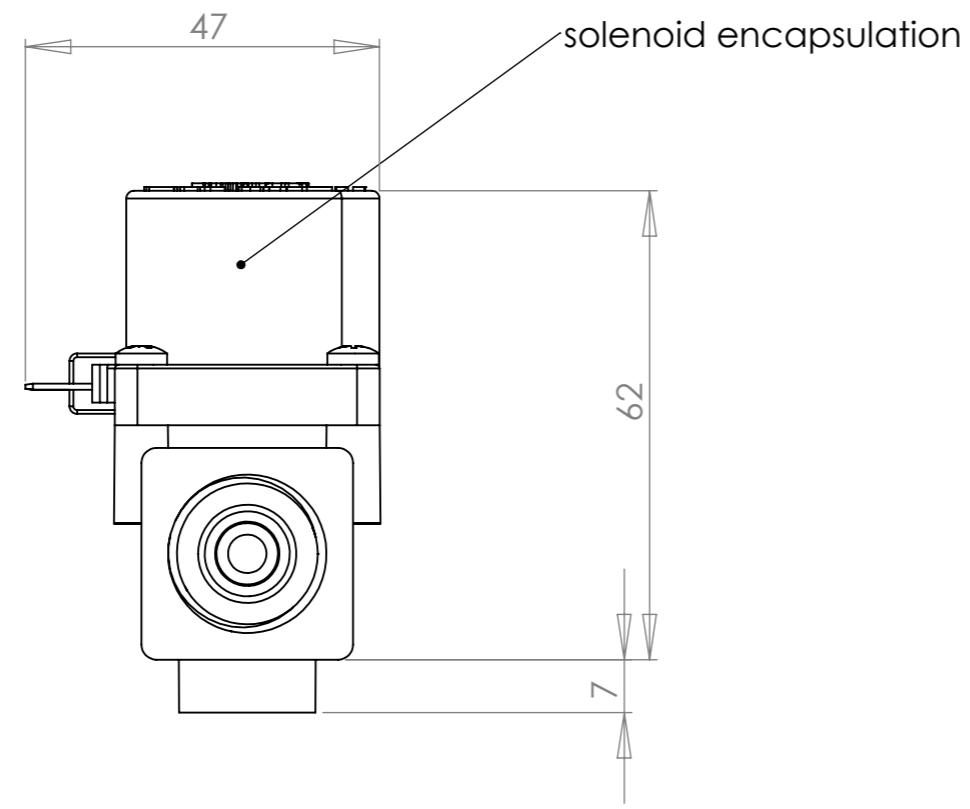
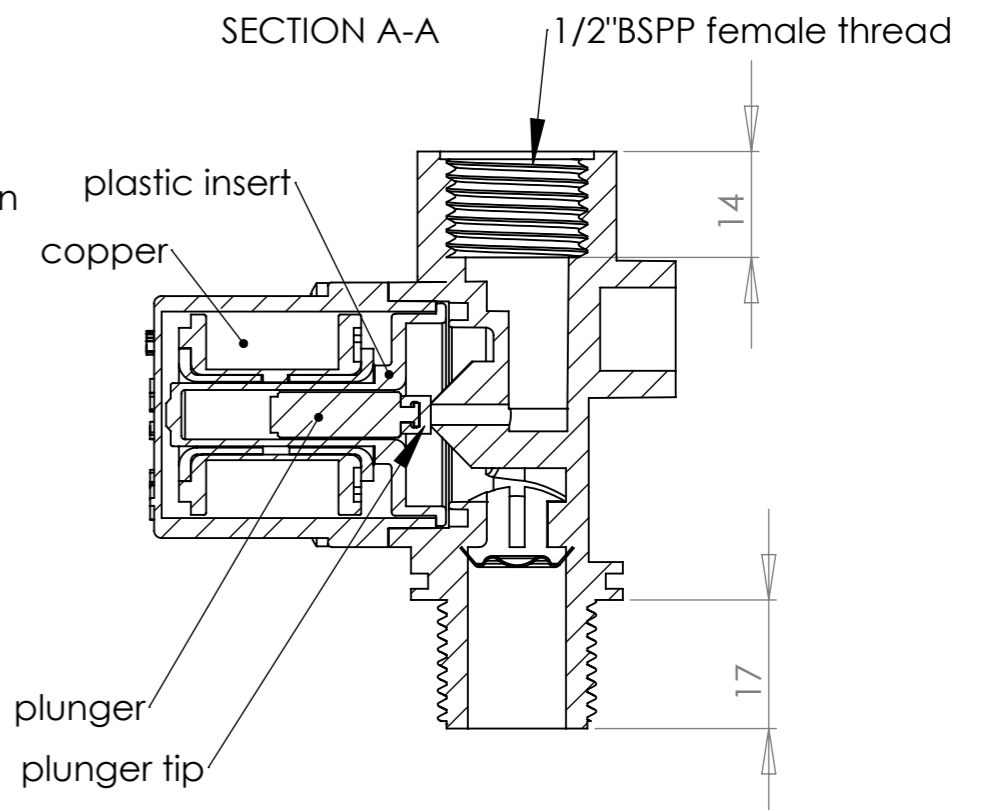
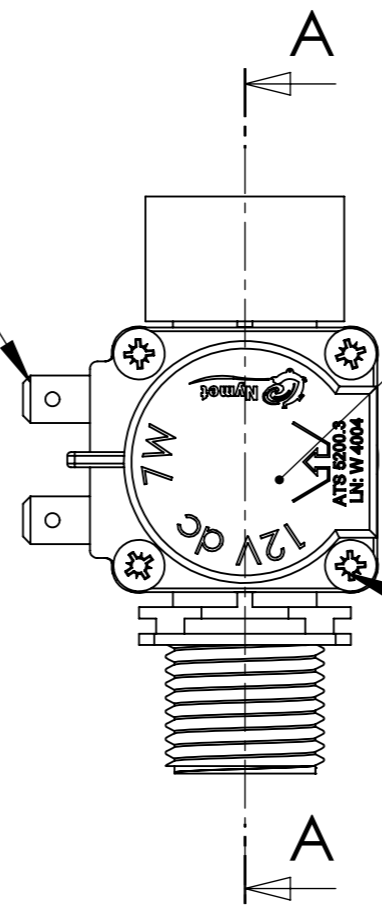


6.3mm straight electrical terminals optional leaded or din terminals also available

Nymet body H



Tolerances except where otherwise stated xx. ±0.5 xx.x ±0.1 xx.xx ±0.05 Angular Tolerance ±1°		FINISH:	DEBUR AND BREAK SHARP EDGES	DO NOT SCALE DRAWING	REVISION 2.0
DRAWN				TITLE: Nymet Pty Ltd	
CHK'D				BODY Q	
APPV'D					
MFG					
Q.A					
MATERIAL:				DWG NO.	A3
SCALE:1:1				SHEET 1 OF 1	